

NVS, NVR, NVA

Vacuum Feeders

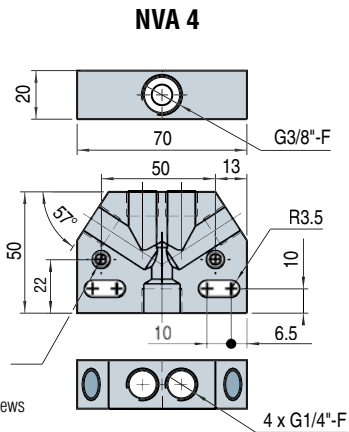
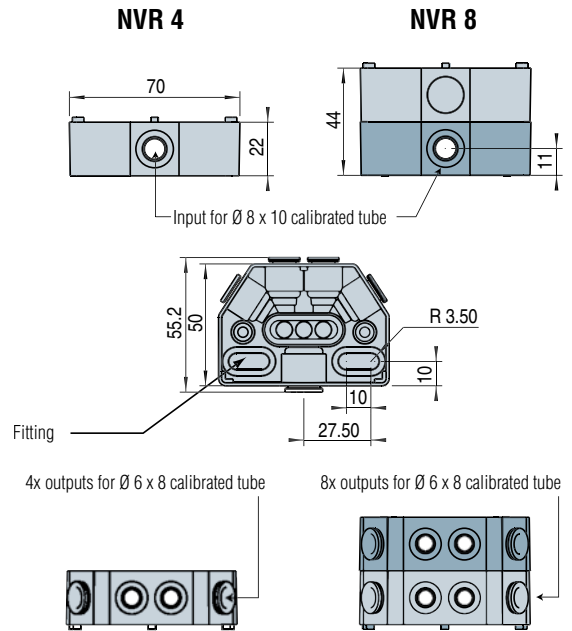
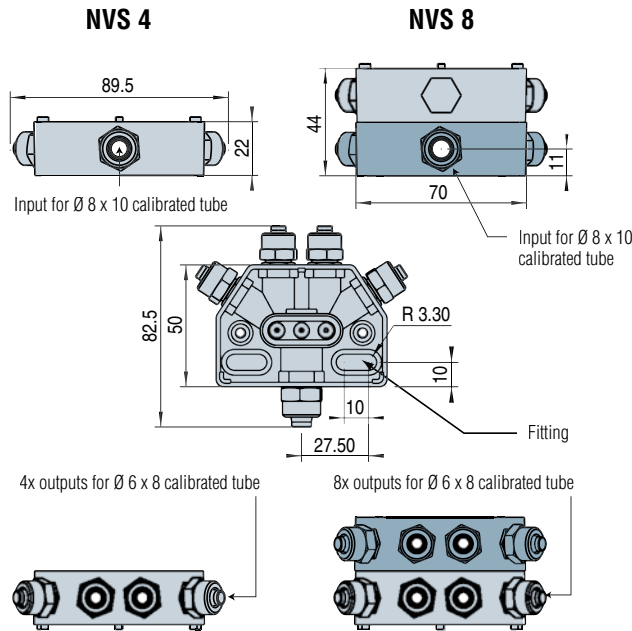


The NVS and NVR series vacuum feeders enable distribution of the vacuum in 4 to 8 channels by a simple unit. The 8/10 inputs and 4 or 8 6/8 outputs eliminate pressure loss.

Characteristics

		Screwed vacuum fittings		Push fittings		Threaded
Models		NVS 4	NVS 8	NVR 4	NVR 8	NVA 4
Material	Body	PA 6.6 – 30 % fiber glass, black, ULV094				Aluminium 2014 A
	Fitting	Nickel-plated brass		PA		
For tube		calibrated polyamide or polyurethane (PUR)				4 x G1/4"-F and 1 x G3/8"-F
Vacuum		■ ++	■ ++	■	■	■ ++
Pressure (up to 10 bar max.)		-	-	■	■	■

■ ++ Recommended for vacuum networks with regulation



For all orders, please specify:
Model + Type + Number of outlets
 e.g.: NVS8

1: Model	2: Type	3: Number of outlets
NV	S	screwed fittings
	R	push fittings
	A	threaded

Note: All dimensions are in mm

Note: for NVA series, one reference only: NVA4